

SBE Accessories (For Group 1 & 2 voltage configurations only)

FBP: Field installed primary fuse holder kit designed to accommodate two Class "CC" rejection type fuses. Finger safe covers not available.

FB2: Field installed secondary fuse holder kit designed to accommodate one Glass or Ceramic, 1/4" x 1/4" fuse.

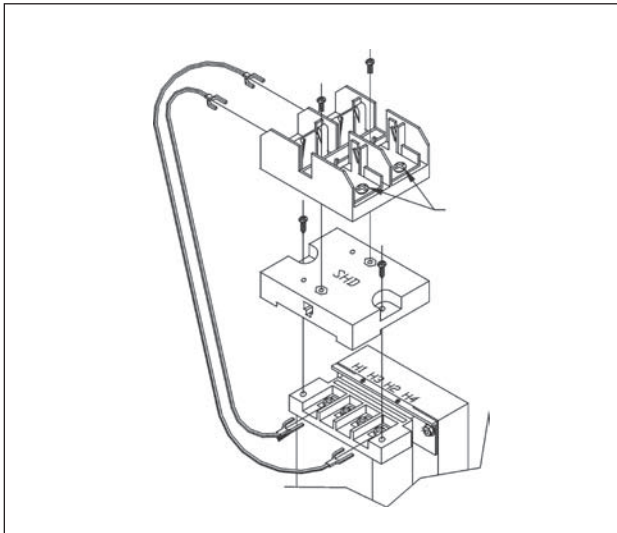
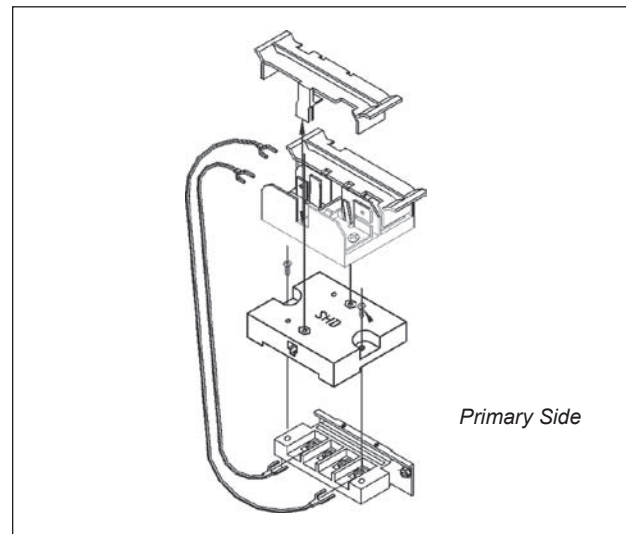
SBEDIN: Field installed IEC Fuse Holder Adaptor Kit

See the Technical Notes section for recommended fuse sizes.

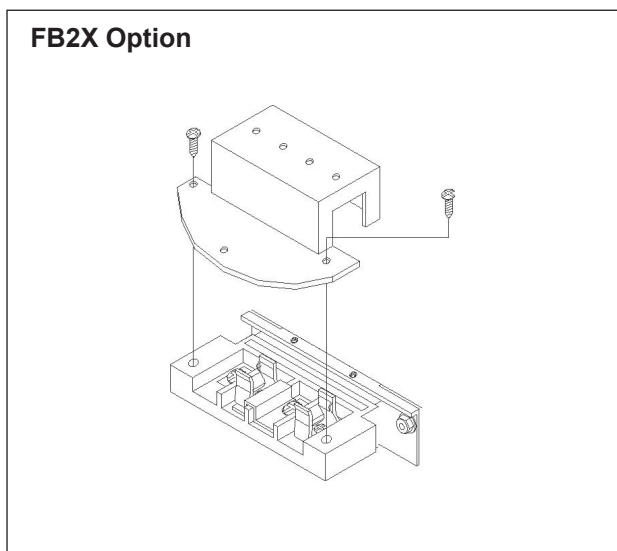
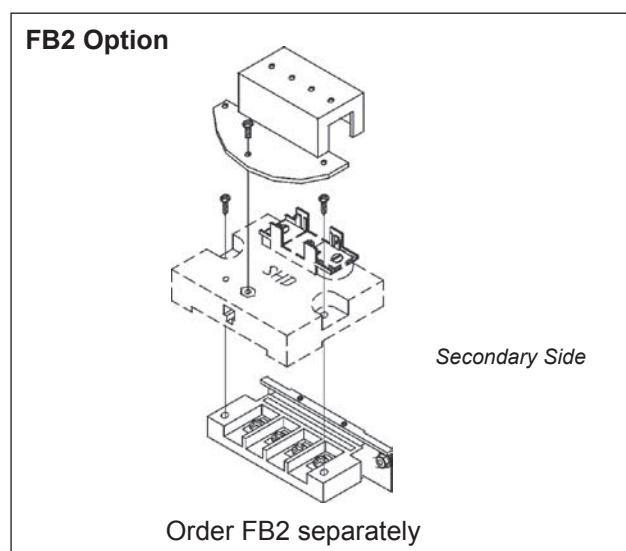
FBPC1: Field installed primary fuse holder designed to accommodate two Class "CC" rejection type fuses with Primary and Secondary Finger Safe Covers Kit.

FB2X: Field installed secondary fuse holder designed to accommodate one 13/32" x 1 1/2" (Midget type) cartridge fuse (included with applicable transformer purchase only).

IP20: Field installed Primary and Secondary IEC Touch Proof Cover Kit.

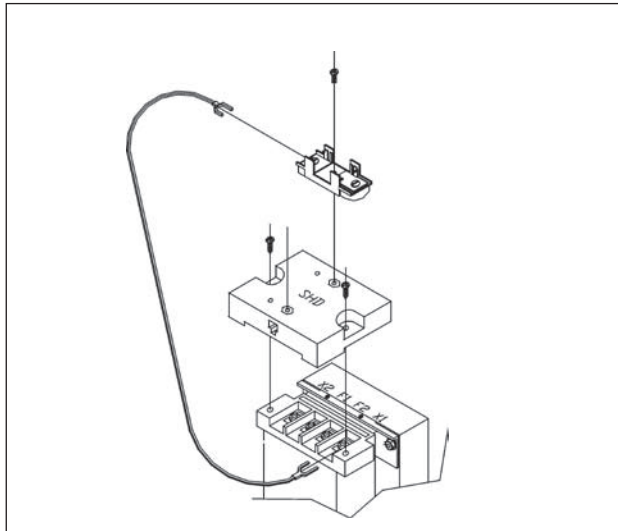
FBP Fuse Block - Primary Side**FBPC1 Fuse Block and Finger Safe Cover Kit**

FBPC1 Secondary Cover - For use with either FB2X or FB2 options.

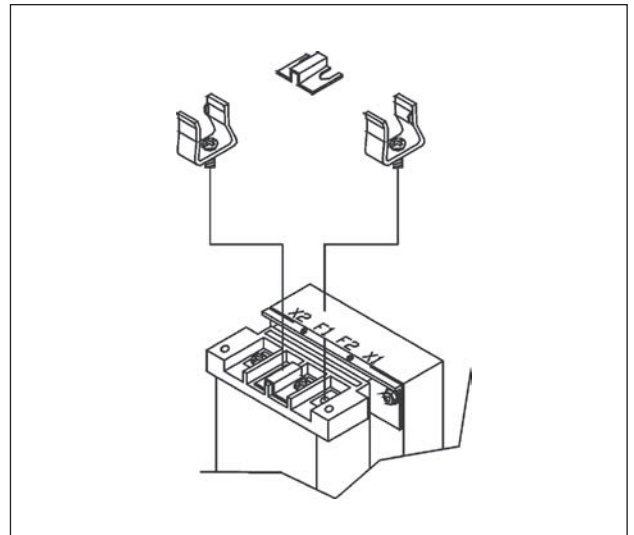
FB2X Option**FB2 Option**

SBE Additional Accessories - continued

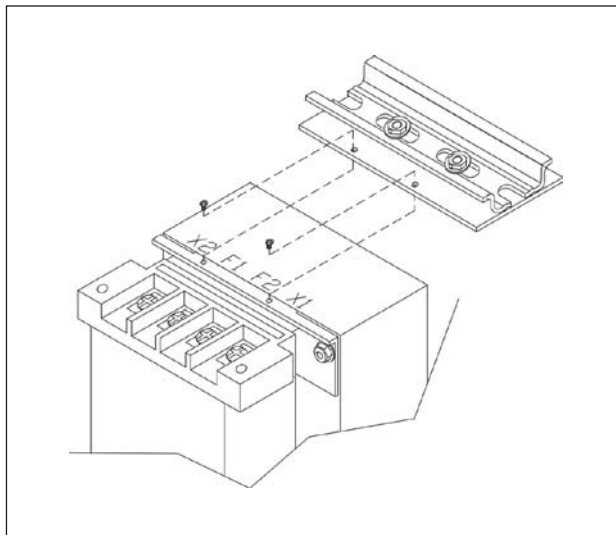
FB2 Fuse Block - Secondary Side



FB2X Fuse Block - Secondary Side



SBE DIN Circuit Breaker Mounting



IP20 Terminal Covers (Two Covers Per Kit)

