

**SBE Accessories (For Group 1 & 2 voltage configurations only)**

**FBP:** Field installed primary fuse holder kit designed to accommodate two Class “CC” rejection type fuses. Finger safe covers not available.

**FB2:** Field installed secondary fuse holder kit designed to accommodate one Glass or Ceramic, 1/4” x 1 1/4” fuse.

**SBEDIN:** Field installed IEC Fuse Holder Adaptor Kit

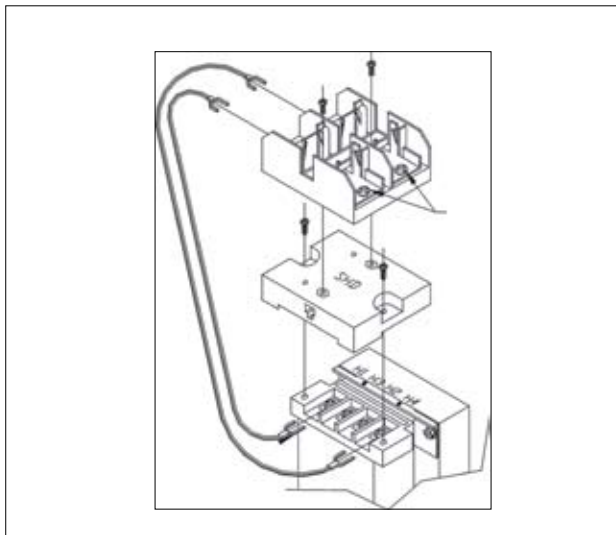
See the Technical Notes section for recommended fuse sizes.

**FBPC1:** Field installed primary fuse holder designed to accommodate two Class “CC” rejection type fuses with Primary and Secondary Finger Safe Covers Kit.

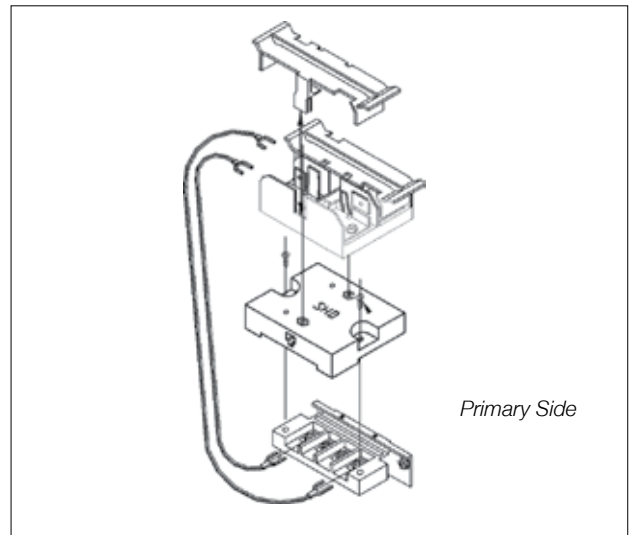
**FB2X:** Field installed secondary fuse holder designed to accommodate one 13/32” x 1 1/2” (Midget type) cartridge fuse (included with applicable transformer purchase only).

**IP20:** Field installed Primary and Secondary IEC Touch Proof Cover Kit.

**FBP Fuse Block - Primary Side**



**FBPC1 Fuse Block and Finger Safe Cover Kit**



**FBPC1 Secondary Cover - For use with either FB2X or FB2 options.**

